



Coordinator:  
**Technikon Forschungs- und  
Planungsgesellschaft mbH**

[coordination@certmils.eu](mailto:coordination@certmils.eu)



"This project has received funding from the European Union's Horizon 2020 research and innovation programme under grant agreement No 731456."

# General Project Information

- Project reference: **731456**
- Project start: **1<sup>st</sup> January 2017**
- Duration: **4 years**
- Total costs: **EUR 5.616.543,75**
- EC contribution: **EUR 3.999.055,63**
- **10 partners** from **5** different **European countries**
- Mission: development of a **security certification methodology** for Cyber-physical systems (CPS).
- Website: [www.certmils.eu](http://www.certmils.eu)

# Project Goal

- certMILS **protects critical infrastructure against cyber-attacks** by compositional security certification.
- certMILS generates rich interaction between developers, evaluation laboratories and certification authorities in three European countries resulting in:
  - **Validated modular Protection Profile**
  - **Standardised and validated methodology** for evaluating and certifying high assurance products
  - **Guidelines for compositional security** for developers and evaluators
- certMILS delivers a **certified MILS platform, for the first time in Europe.**
- certMILS delivers **three security certified MILS pilots, using the MILS platform**

# WP Interaction

Validated  
and Applied Composition  
Methodology for Medium and  
High Assurance Security Certification

**Pilot 1:** Smart Grid

**Pilot 2:** Pilot Railway

**Pilot 3:** Pilot Subway

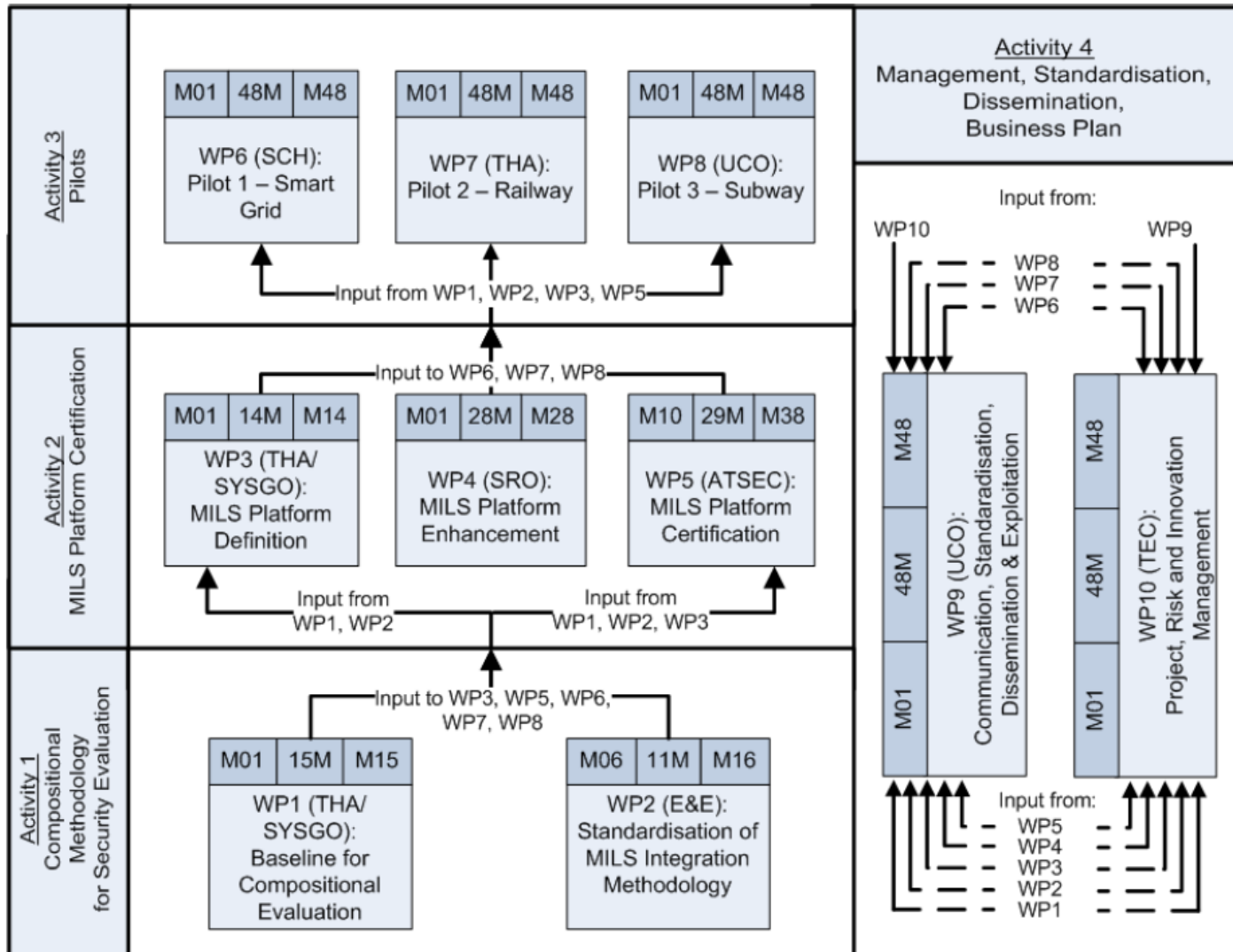
**Activity 3:** Certification Pilots

**Activity 2:** MILS Platform Certification

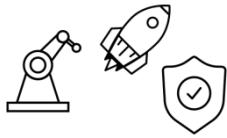
**Activity 1:** Compositional Methodology for Security Certification

**Activity 4:**  
Programme Management,  
Dissemination/Exploitation

# Work Flow



# Objectives



Objective 1. Transfer know-how in compositional safety certification to security certification



Objective 2. Make certification of composed systems affordable



Objective 3. Preservation of certified assurance throughout operational deployment



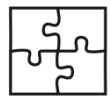
Objective 4. Involvement of all stakeholders in different industry domains



Objective 5. Certified European MILS platform



Objective 6. Develop and apply compositional certification methodology on three industrial pilots



PP Interop

Objective 7. MILS Platform Protection Profile



Objective 8. Guidelines and templates for MILS certification

# Impact

- **certMILS increases trustworthiness of complex cyber-physical systems by enabling adequate security certification, using security-by-design to make compositional certification affordable**
- **certMILS reuses compositional certification results across national borders, strengthening the Single Digital Market.**
- **certMILS is expected to create about 100 million EUR turnover in 2018-2027**
- **certMILS counters US dominance in the operating system security markets by making available a certified European MILS platform and demonstrating it on the pilots.**
- **certMILS is aligned to the industrial and research needs of the MILS Community**

# Contacts

## Project Coordinator:

**Dr. Klaus-Michael Koch**

Technikon Forschungs- und  
Planungsgesellschaft mbH  
Burgplatz 3a  
9500 Villach, Austria  
Tel.: +43 4242 233 55

Email: [coordination@certmils.eu](mailto:coordination@certmils.eu)

## Technical Leader:

**Dr. Sergey Tverdyshev**

SYSGO AG  
Am Pfaffenstein 14  
55270 Klein-Winternheim,  
Germany  
Tel.: +49 6136 9948 788

Email: [sergey.tverdyshev@sysgo.com](mailto:sergey.tverdyshev@sysgo.com)

Website: [www.certmils.eu](http://www.certmils.eu)

FOLLOW US ON 

[certMILS H2020](#)

Linked 

[certMILS Project](#)



# CERTMILS Contract No: 731456

“This project has received funding from the European Union’s Horizon 2020 research and innovation programme under grant agreement No 731456.”

If you need further information, please contact the coordinator:

Technikon Forschungs- und Planungsgesellschaft mbH

Burgplatz 3a, 9500 Villach, AUSTRIA

Tel: +43 4242 233 55 Fax: +43 4242 233 55 77

E-Mail: [coordination@certmils.eu](mailto:coordination@certmils.eu)

The information in this document is provided “as is”, and no guarantee or warranty is given that the information is fit for any particular purpose. The content of this document reflects only the author’s view – the European Commission is not responsible for any use that may be made of the information it contains. The users use the information at their sole risk and liability.